

***Aquamatik***



The Global



**Water Technics**



## ***Aquamatik***

**Simple but Reliable**

**Superior in Quality but Affordable**

**Technologically advanced but user friendly**

## Value of enterprise

Autotex has been manufacturing various products for Textile, Automobile, Insecticides, Water pump accessories, Bath fittings, Multi purpose Crates and Poultry equipments since 1988. In this time span our company has grown as leading manufacturers of engineering products of above various industries with immense quality standards of the products nature.

Our quest for quality starts from R&D, design and ends at customer point. The stringent in-house quality measures and quality standards has proved and been accepted by the leading OEM's around the globe and have proud customers in more than 30 countries for our products. Our customers prefer us, for our continuous developments through research, proven quality standards, On-time Delivery, best pricing etc.

This forms the basis for highly structured activity at Autotex to develop and produced superior products. Our responsibility does not end with just supply of products, we strongly believe in after sales service - a key area contributing towards total customers satisfaction.



# Automatic Pump Control

## PC - 02 / 02A Series

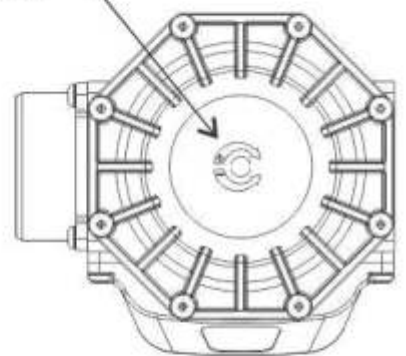


Aquamatik Pump controllers are built for a quiet running operation, Non return valve built-in, pressure gauge, pressure switch and electronic control with dry running function integrated with manual reset button. Adjustable starting pressure 1.5 - 2.5 bar Plastic union connection included. It is assembled on a pump for automatic water supply. When the taps are opened it starts the electric pump automatically after a decrease in pressure. When the taps are closed the fluid flow interrupts at the maximum pressure level of the electric pump and stops the electric pump. If the pump runs without water, the controller off the pump and prevents water hammer

**Aquamatik pump controller is successfully tested up to 50,000 cycles which is more than 3 years of life in normal working conditions.**

### Adjustment Screw

Starting pressure: 1.5 - 2.5 bar



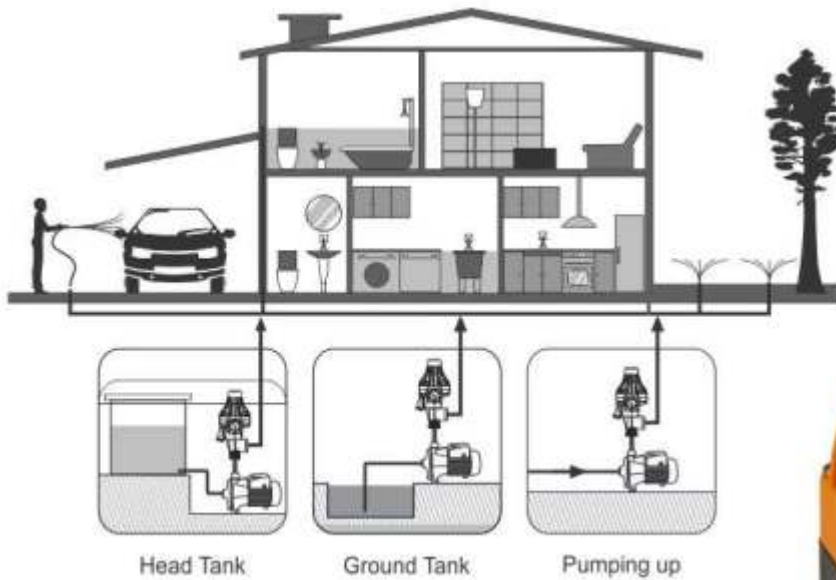
### PC-02A

#### Adjusting the start-up pressure

The Start-up pressure is adjusted using the screw located on top of the Kit.

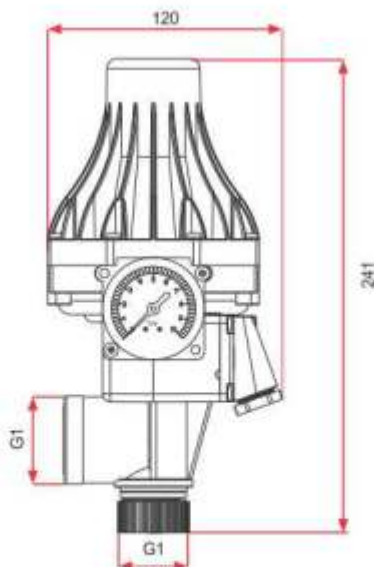
Switch on a tap in the installation and read the pressure shown on the pressure gauge at the moment of starting. Turn the adjusting screw in the desired direction. The start-up pressure should normally be set 0.3 bar over the static pressure of the installation above the kit.

## Automatic Pump Control PC - 03 Series



### Technical Parameters

- Rated Voltage: 1-220 / 230 / 240V
- Frequency: 50 / 60 Hz
- Max current / Max power: 10A / 1.5 KW
- Starting pressure: 1.5bar
- Max working pressure: 10Bar
- Protecting rating: IP65
- Max Working Temperature: 60° C



The Global   
Water Technics



## Automatic Pump Control

### PC - 10 Series



#### Technical Parameters

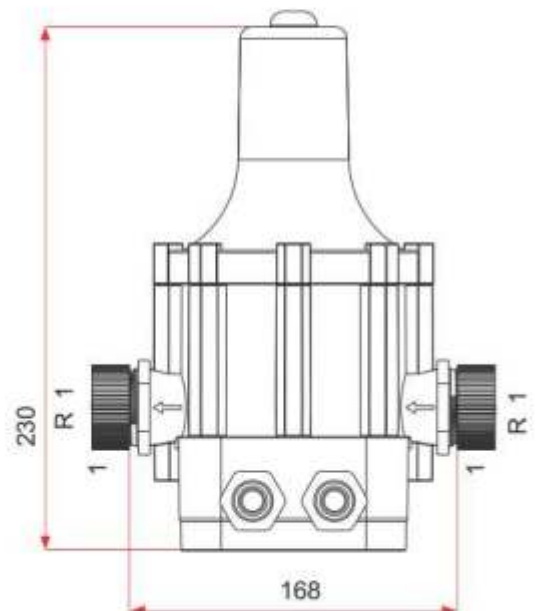
- Rated Voltage: 1~220 / 230 / 240V
- Frequency: 50 / 60 Hz
- Max current / Max power: 10A / 1.5 Kw
- Starting pressure: 1.5 bar
- Max working pressure: 10Bar
- Protecting rating: IP65
- Max Working Temperature: 60° C



Aquamatik products are developed by innovation. The constant improvements and developments to meet the enhancing customer requirements by our world class quality standards are the key features. The well equipped Quality Control section with the trained team ensures that all products are tested as per international quality norms. We are certified by TUV – SUD for ISO 9001 Quality Management System, and maintaining for our improvements. Aquamatik products are certified for CE marking and comply with the European test requirements.

## Features :

- No Noise, Complete silent.
- Built in reset button
- Automatic start and stop of pump
- Protection against dry running
- Over heat protection
- Examine the water automatically
- Forced start



# Aquamatik Float Switch

Aquamatik float switch is extensively used for all types of water level controllers. It is water proof and stays above the water level. It is also resistant to corrosion and abrasion. The advanced automatic float switch can actuate a pump, an indicator, an alarm, or other device.

Use them with hydroponics, saltwater tank, freshwater tank, gardening, aquariums for power head control, pet bowls, fish tanks, filtration, heating, pumps, ponds, basement alarms, boats, air condition drain pans, pressure washers, carpet cleaning mach, reef aquarium, fluid control, ice machines, coffee pots, marine, automotive, automobiles, tropical fish tanks, evaporator coils, condensation line, in relays, or what ever your project may be.

It can be easily converted from normally open to normally close by inverting the float. The float switch is endurance tested mechanically and electrically for 100,000 switching.

## FS-15



## FS-15 Matik



## Technical Parameters

- Rated Voltage 1~220 / 230 / 240V
- Rated Current 10A
- Frequency 50/60Hz
- Protection ratingMax IP 67
- working temperature 60°C





# Aquamatik®

## SHATTAF A5

Ideal to use for all forms of personal hygiene.



Exporting to more than  
**30 Countries**



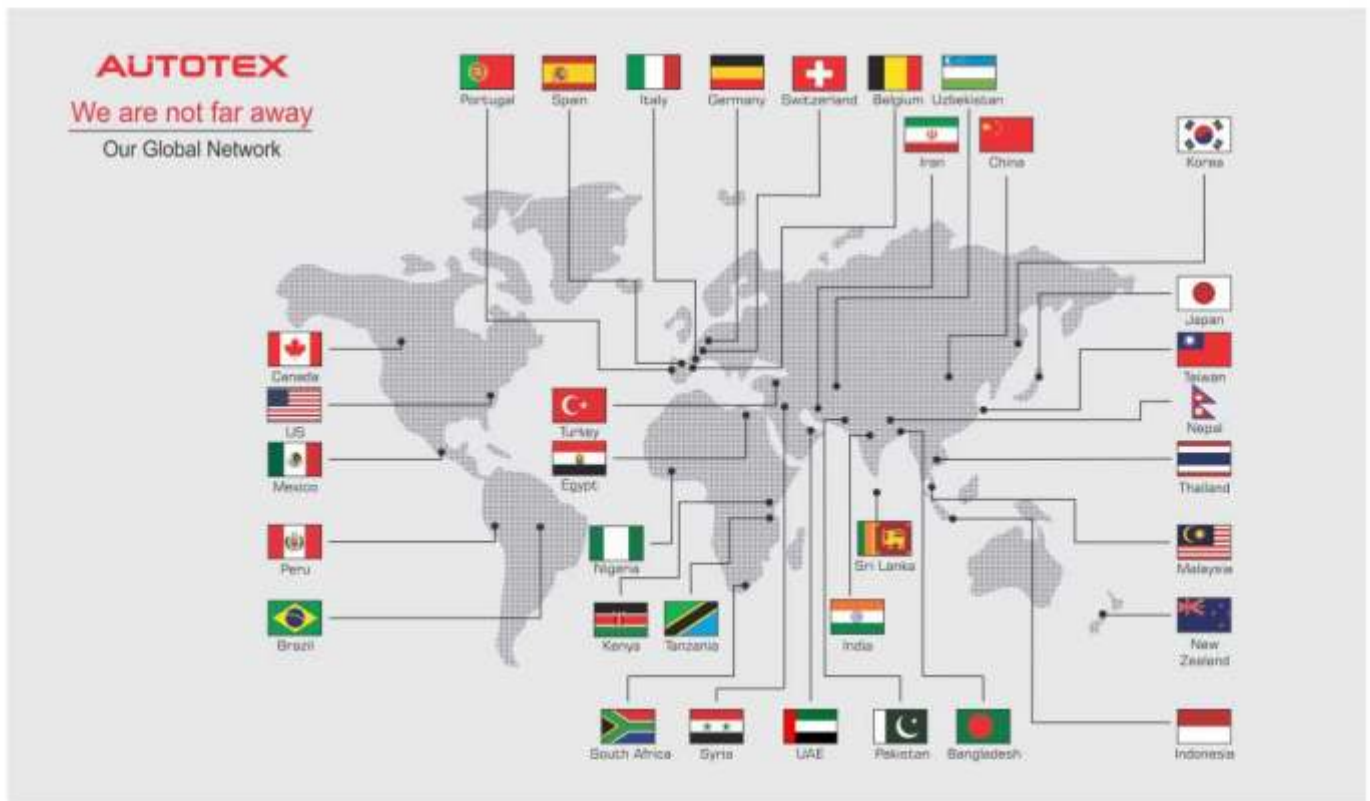
- Simple, yet pleasing smooth design.
- Chrome plated hand shower with trigger.
- Anti-Rust, 120 cm fish net flexible hose.
- Wall bracket with screw.
- Complies with recommended pressure ratings.

MADE IN  
INDIA 



## Welcome to Autotex

Try our products - Trying is ensuring  
See the difference - Seeing is believing



**AUTOTEX**

**GROUP**

**Regd. Office:** 13/20, Sitra - Kalapatty Road, Coimbatore - 641 014. INDIA.

Mobile: +91 994 420 1515 | Phone: +91 422 432 1515 | Web: [www.autotex.net](http://www.autotex.net) | E-mail: [raghavan@autotex.net](mailto:raghavan@autotex.net)



[www.autotex.net](http://www.autotex.net)

Success by Quality



**Appendix to this Brochure**

We reserve the right of altering and improving one or more features of our products previously described at any time without any notice.

Autotex system and innovation are protected by patents and applications.